

IMPORTANT USER GUIDANCE – HZC 390 L TYPE-H VACUUM CLEANER

READ THESE INSTRUCTIONS BEFORE USING THE APPLIANCE



GENERAL: Equipped with a sealed waste cartridge containing an integral HEPA filter, tested and certified for its filtration efficiency, the HZC390 offers a safe & convenient cleaning solution for tradesmen whose work brings them into occasional contact with hazardous dusts and materials.

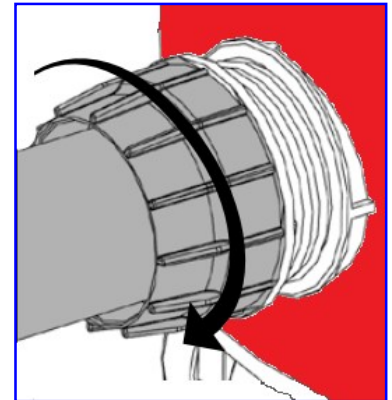
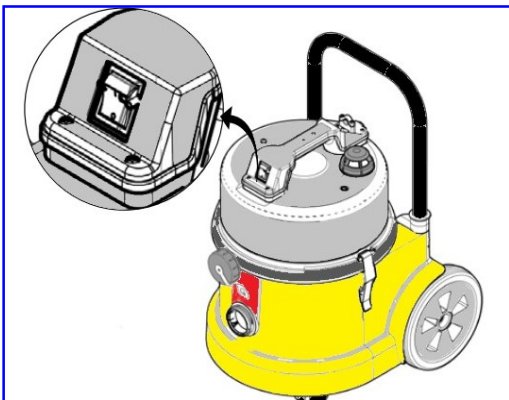
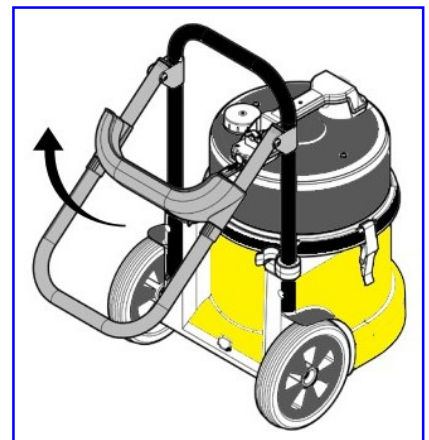
With rear wheels and folding pull-handle the HZC390 is easy to transport across rough surfaces, light enough to carry up stairs, small enough to use in space restricted areas such as lofts and floor voids and has powerful long-distance reach courtesy of its high suction motor which allows up to 15 metres vacuum hose (38mm) to be attached to the inlet. The HZC390 is engineered to meet the technical and filtration standards required for collecting non-explosive hazardous dusts and materials.

CAUTION: This equipment operates using 110v - as with all electrical equipment care and attention must be exercised. This machine is for dry use only and must not be used or stored in wet conditions. Do not use this equipment for the collection of explosive dusts or biological agents; do not use in a flammable or explosive atmosphere. Do not leave this equipment unattended when in operation.

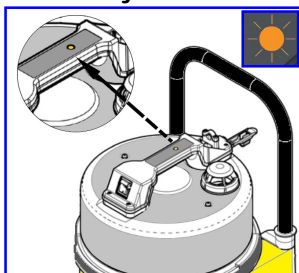
This equipment utilizes a sealed-for-life waste cartridge to collect dust. The cartridge cannot be opened for emptying; once full return the complete vacuum cleaner for exchange.

OPERATION: The vacuum can be carried or pulled along on wheels; to extend the trolley handle – swing the handle upwards until vertical and lock in place by pushing the black plastic harness down. Connect the vacuum to a 110v power supply using the 16A 110v trailing plug. If using extension cables these should not exceed 30m (approx. 100 feet) in length and must be of at least 2.5mm² conductor cross section.

An On/Off switch is fitted to the vacuum handle. Switch the vacuum “ON” and immediately remove the inlet dust cap; connect a vacuum hose - a variety of brush / nozzle accessories are available - enquire to the supplying depot for accessories / hose length options.



LOW FLOW INDICATOR: The vacuum cleaner is equipped with a low-airflow warning indicator; this is a light fitted within the handle of the vacuum cleaner which will flash when the airflow is low [high airflow is necessary for effective cleaning]. If the light flashes check the following:



POSSIBLE CAUSE

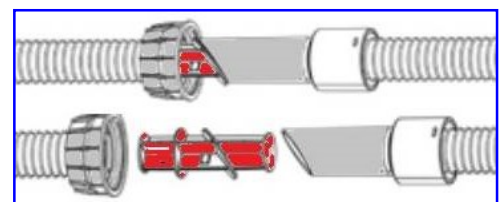
- Inlet dust cap not removed ?
- Vacuum hose blocked ?
- Waste cartridge nearly full ?

SOLUTION

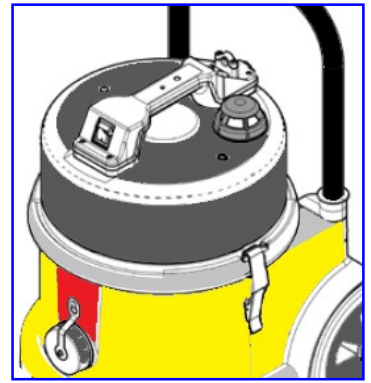
- Remove cap
- Clear hose
- Return vacuum to supplier

Do not continue to operate the vacuum cleaner when the vac hose is obstructed or if the “low-flow” warning lamp is continuously flashing; you may cause the motor to overheat or suffer damage.

AFTER USE: When you finish using the vacuum we recommend you plug or tape the open end of the hose (image right). When disconnecting the hose from the machine refit the dust cap to the vac inlet, then switch the vacuum OFF; disconnect the vacuum cleaner from the power supply.



Wipe the machine completely clean. The vacuum hose and any accessories should be sealed in a separate plastic bag and retained for future use (or disposed in a means appropriate to the material collected).



VACUUM CLEANER TECHNICAL INFORMATION:

MODEL: HZC 390 L
POWER SUPPLY: 50-60Hz, 110v, Class I
CURRENT (CLEAN): 8A @ 110v, 1000W
SOUND PRESSURE: ≤ 70 dB(A) +/- 0.5 dB(A)
MAXIMUM SUCTION: 2500mm w.g. (248hPa)
NORMAL AIRFLOW (CLEAN): 48L/sec (152m3/hr)
LOW FLOW WARNING @: <20L/sec (72m3/hr)
DIMENSIONS mm: 450L x 400W x 690 H (or 1010 with handle up)
WEIGHT: 13 KG
CARTRIDGE: 13 LITRES

DO:

- Take precautions to prevent spread of dust.
- Ask if you need advice.
- Keep the machine clean.
- Keep vacuum hoses and tubes clear.
- Regularly examine the power cable for damage.
- Dispose of vacuum hoses & tools responsibly once you have finished.

DO NOT:

- Use steam cleaners or pressure washers to clean the machine.
- Immerse in water for cleaning.
- Attempt to repair the machine if it is faulty – return to the supplier.
- Use the machine to suck up water or liquid of any description.
- Use the machine to suck up hot ashes, or lighted cigarette ends.
- Run the machine over the power cable during operation.

THE FOLLOWING MUST BE OBSERVED AT ALL TIMES

USERS MUST:

- refer to local safety regulations applicable to the materials being collected by the vacuum machine [for example, in the U.K. if collecting dust containing lead observe the requirements of the Control of Lead at Work Regulations and supporting guidance L132; if collecting dust containing asbestos observe the requirements of the Control of Asbestos Regulations 2012, its supporting guidance ACoP L143 Managing and Working with Asbestos, and the HSE's Equipment and Method task sheet EM4: Using a Type-H Vacuum Cleaner for Asbestos].
- familiarise themselves with instruction and information (and where appropriate undertake training) concerning use of the appliance, the substances for which it is to be used, including the methods for handling material collected.
- Not attempt to take apart or open the vacuum (other than to connect a vacuum hose).
- Before removing the vacuum from a potentially contaminated area ensure that the outside of the appliance is decontaminated by vacuum cleaning, the dust cap is secured, and the machine is wiped completely clean. Place the equipment within a clear polythene bag prior to return.
- Accessories such as flexible hoses, brushes, tools etc. should be considered contaminated after first use and should be sealed in polythene bags between each subsequent use; they cannot be returned to the supplier. When ultimately finished with these accessories should be disposed of in accordance with the regulations for the waste material you are handling.

FOR MORE INFORMATION ABOUT OUR RANGE OF HIRE EQUIPMENT PLEASE SEE OUR WEBSITE www.envirogard.co.uk

Envirogard Hires



www.envirogard.co.uk

NATIONWIDE DELIVERY SERVICE

Manchester	01613 208 587	email: manchesterdepot@envirogard.co.uk
Ashford	01303 814 930	email: ashforddepot@envirogard.co.uk
Tamworth	01827 304 955	email: tamworthdepot@envirogard.co.uk
Barnsley	01226 740 900	email: barnsleydepot@envirogard.co.uk
Bristol	01179 374 551	email: bristoldepot@envirogard.co.uk

